

# BOND WRENCH TESTING APPARATUS



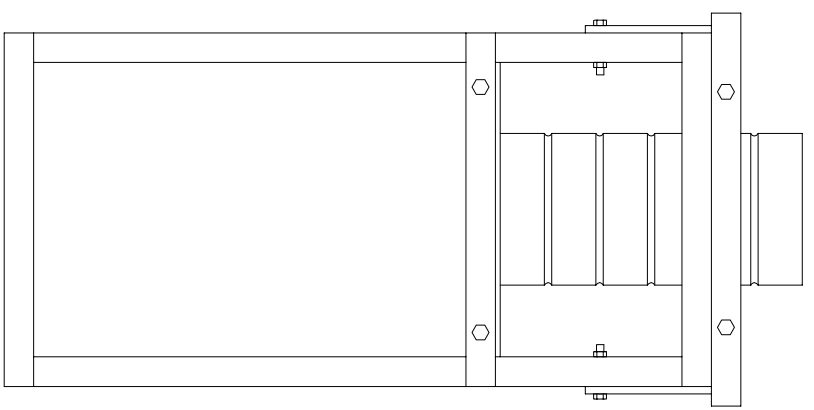
UNIVERSITY OF  
WYOMING STRUCTURES  
LABORATORIES

BOND WRENCH TESTING  
APPARATUS

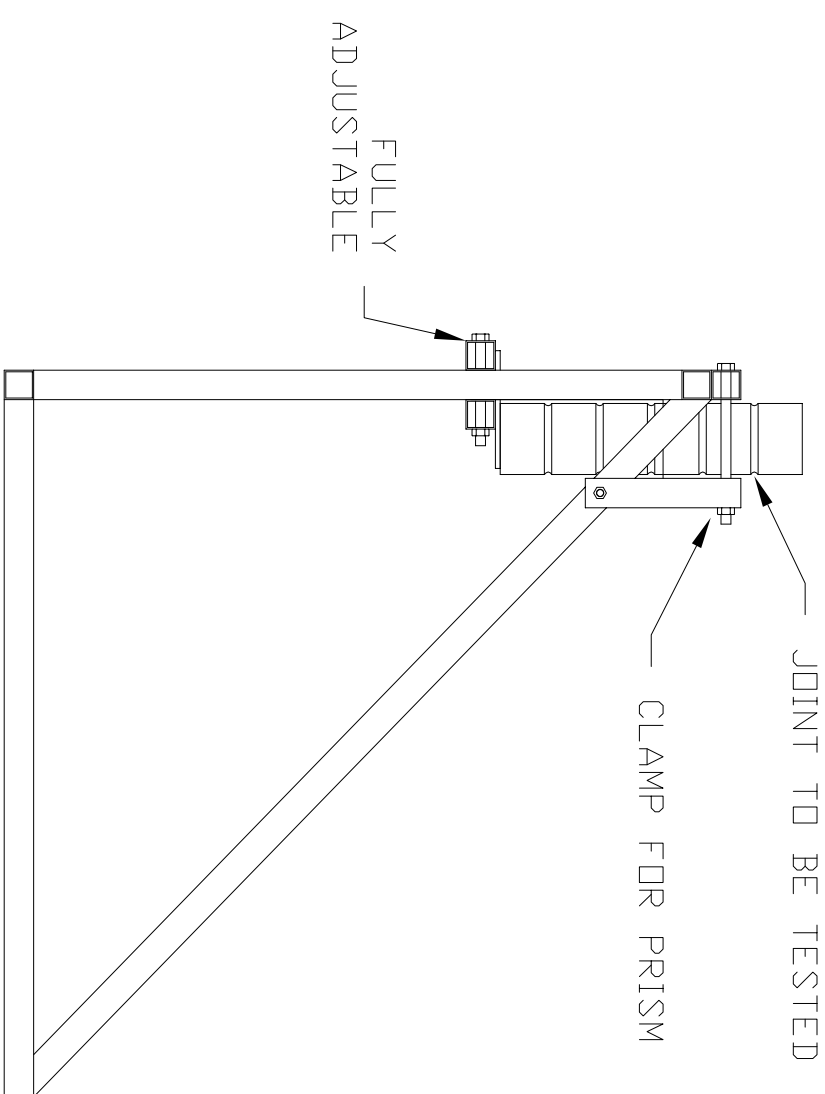
ZACHARY P. GUTIERREZ



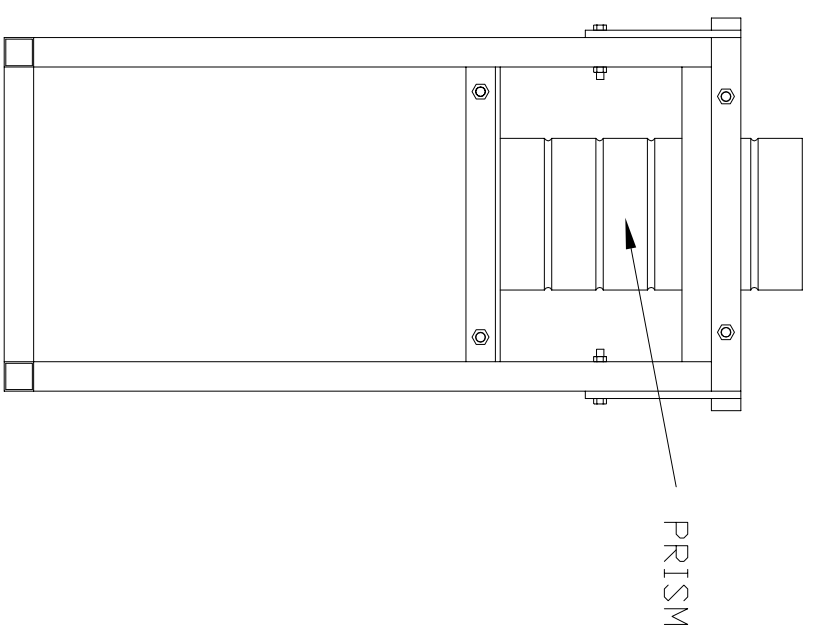
FRONT VIEW (WITH PRISM)



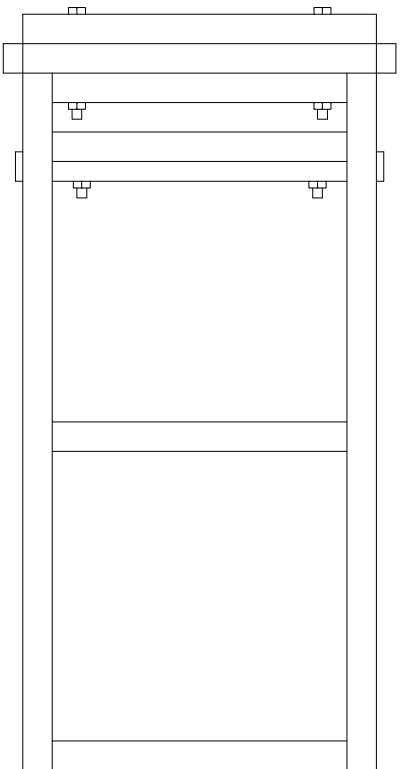
SIDE VIEW (WITH PRISM)



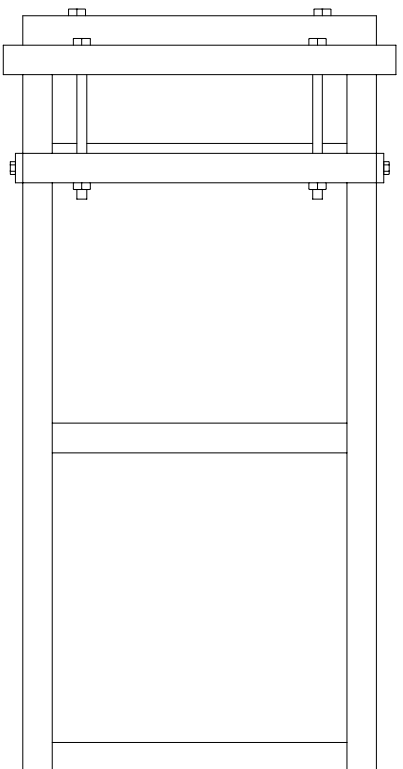
REAR VIEW (WITH PRISM)



BOTTOM VIEW



TOP VIEW



SCALE = 1/10"=1"

UNIVERSITY OF  
WYOMING STRUCTURES  
LABORATORIES

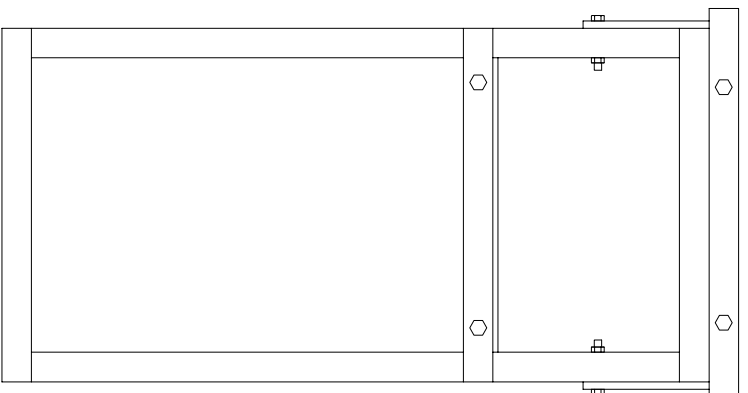
TITLE  
SPECIMIN ASSEMBLY

DATE:  
03/29/2007

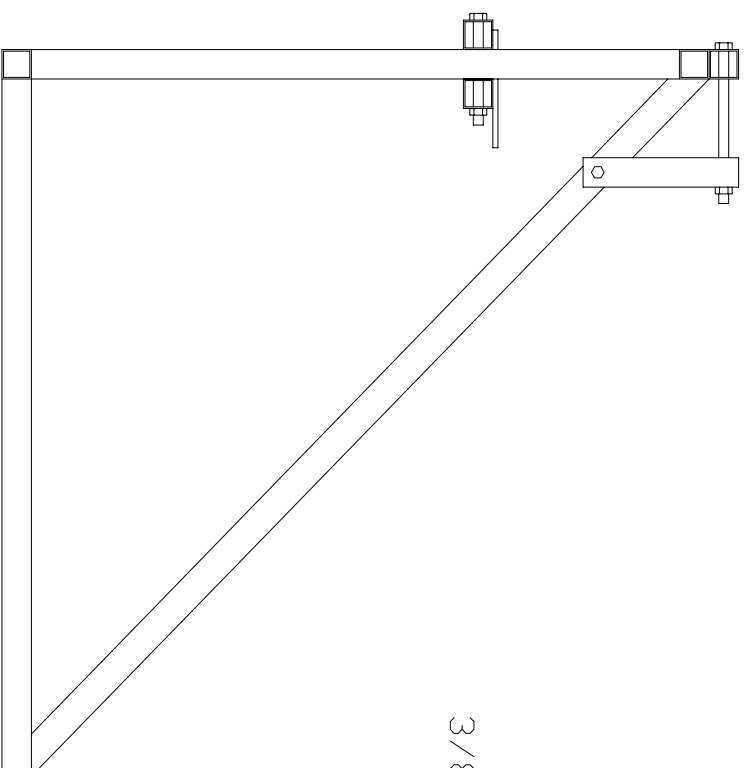
PAGE:  
ZPG 1/8



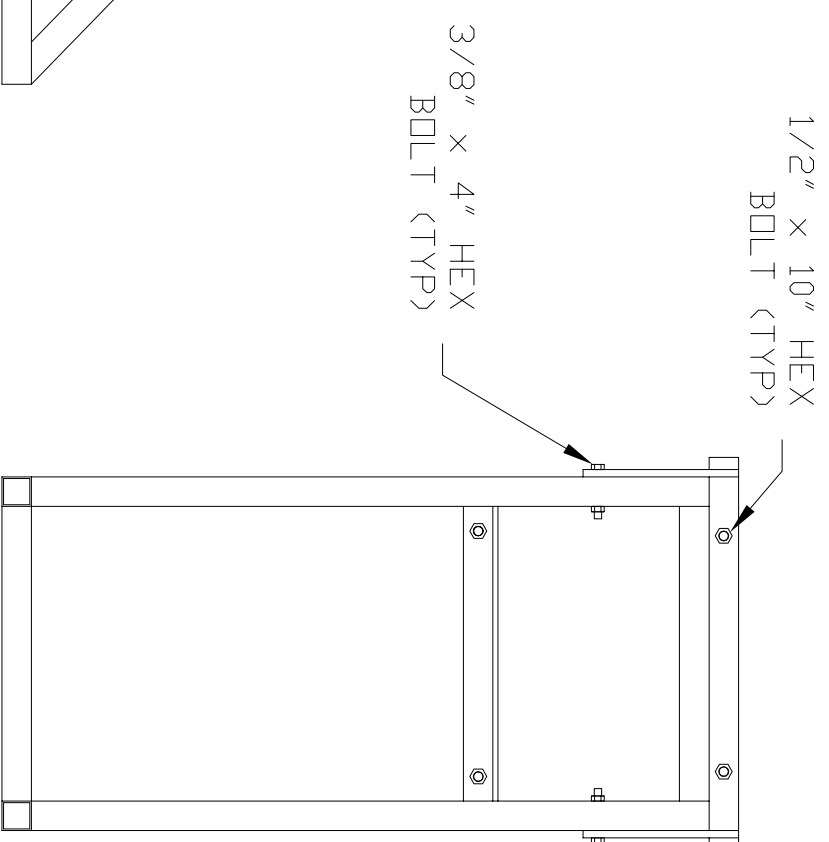
FRONT VIEW



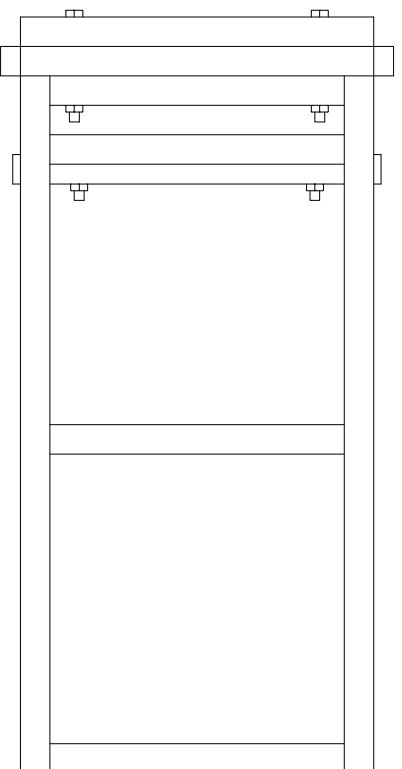
SIDE VIEW



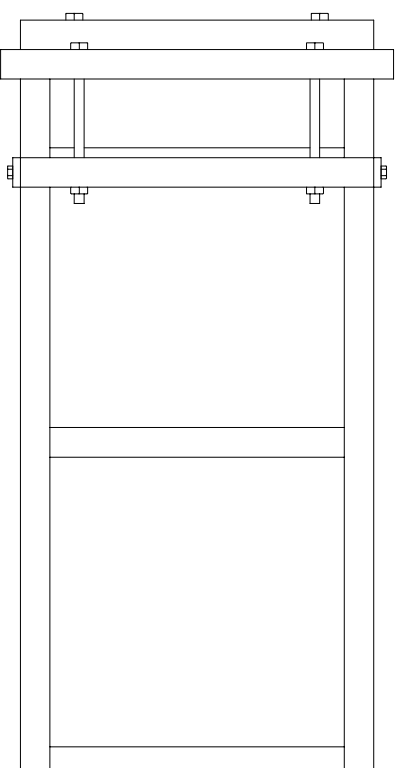
REAR VIEW



BOTTOM VIEW



TOP VIEW



SCALE = 1/10"=1"

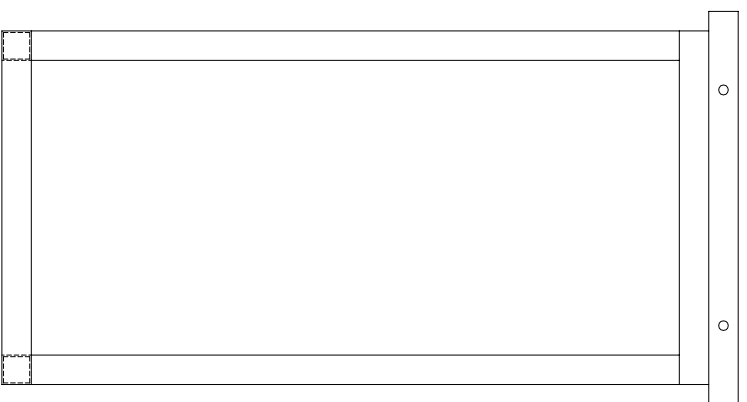
UNIVERSITY OF  
WYOMING STRUCTURES  
LABORATORIES

TITLE:  
SPECIMIN ASSEMBLY

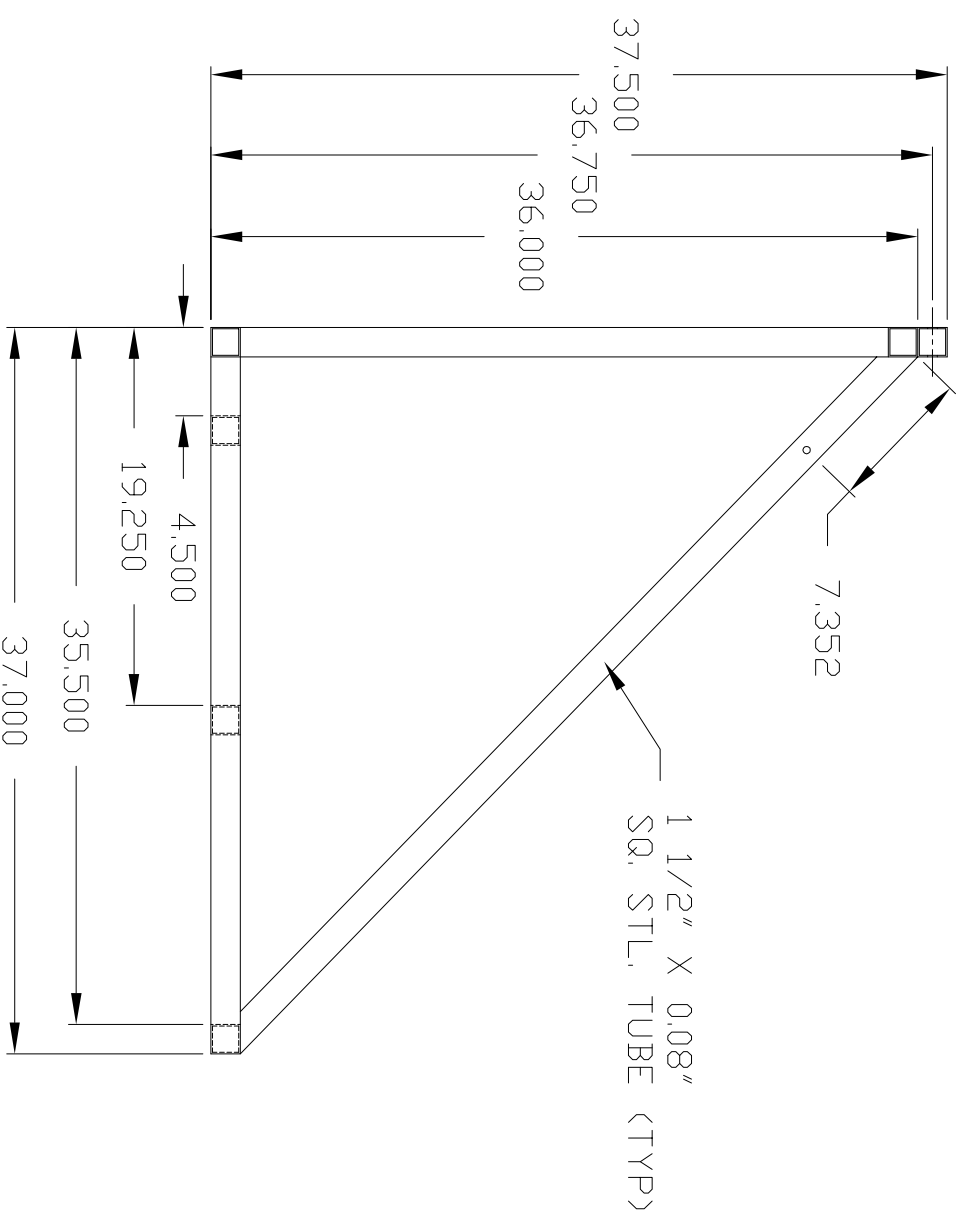
DATE: 03/29/2007      ZPG      PAGE: 2/8



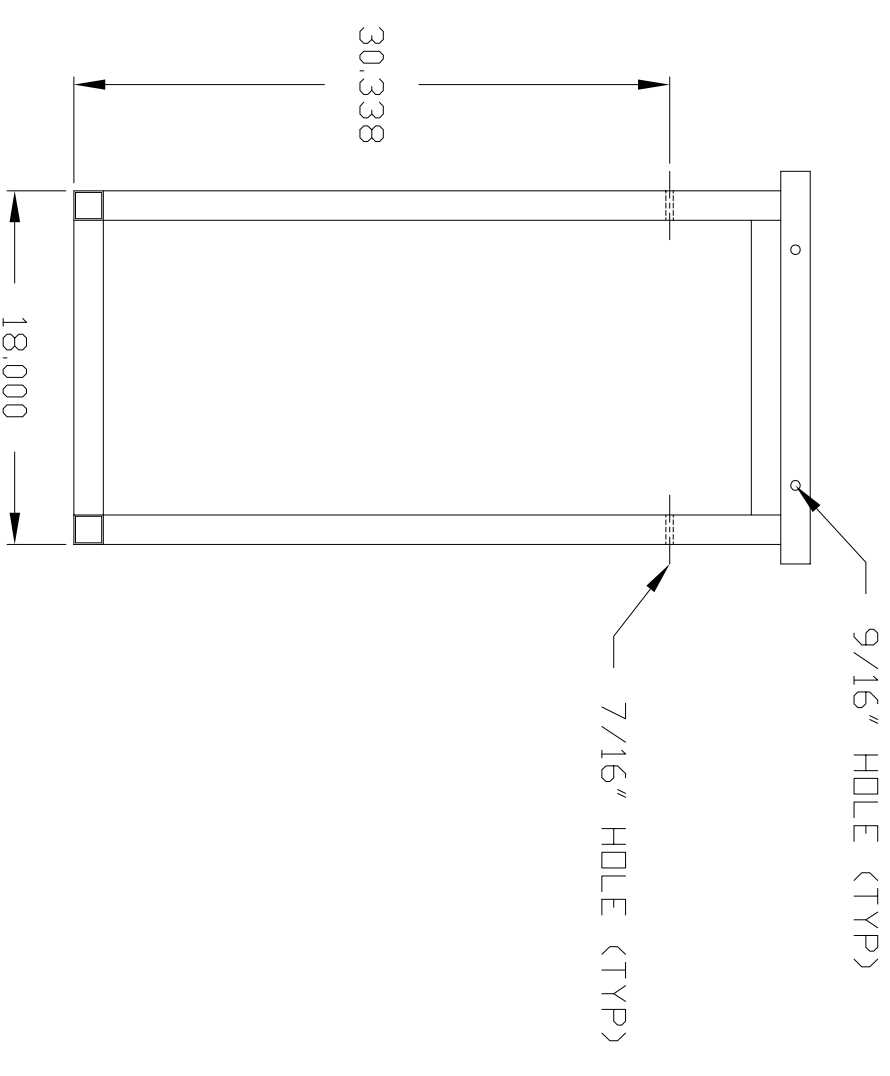
FRONT VIEW



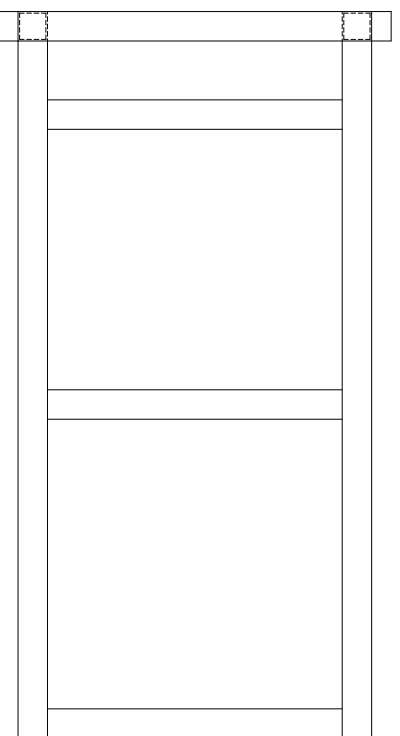
SIDE VIEW



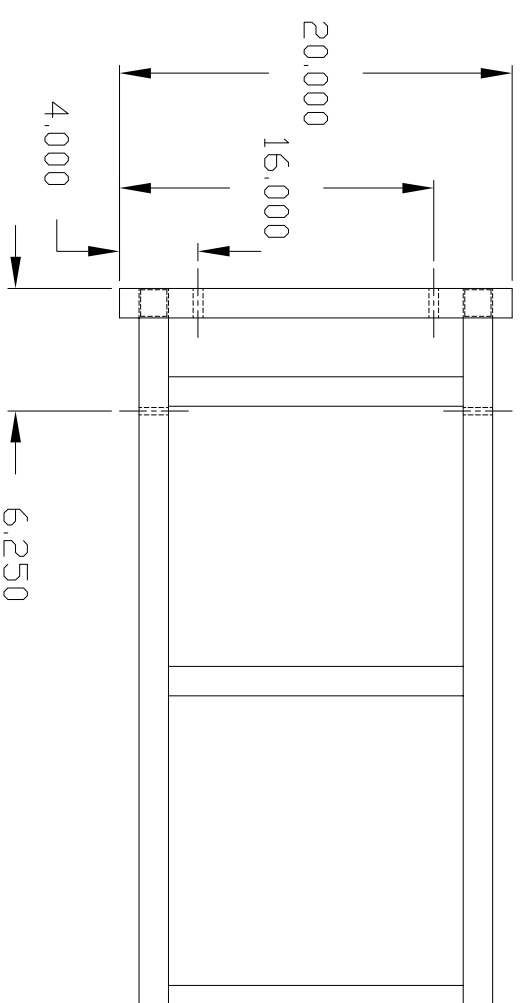
REAR VIEW



BOTTOM VIEW



TOP VIEW



SCALE = 1/10"=1"

UNIVERSITY OF  
WYOMING STRUCTURES  
LABORATORIES

TITLE  
FRAME

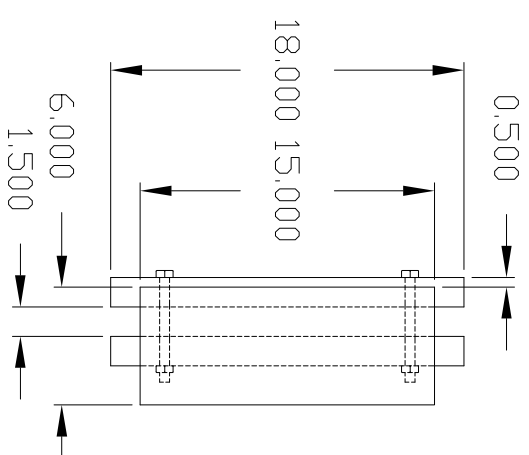
DATE  
03/29/2007

PAGE  
ZPG

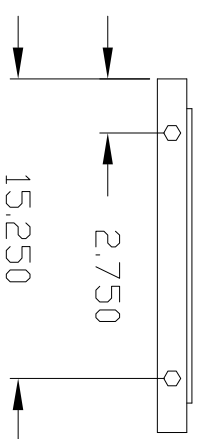
PAGE  
3/8



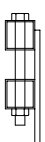
TOP VIEW



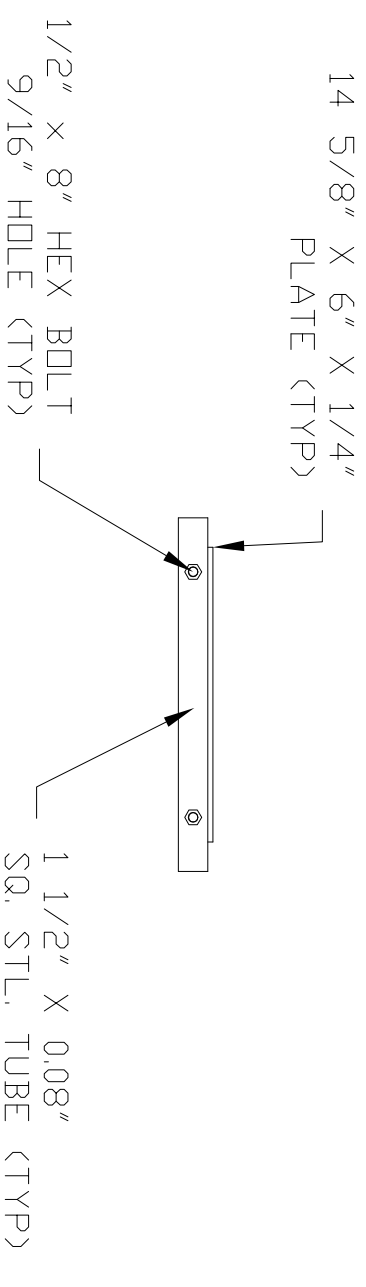
FRONT VIEW



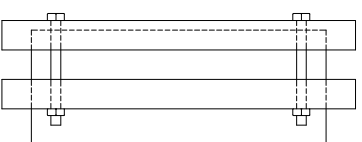
SIDE VIEW



REAR VIEW



BOTTOM VIEW



SCALE = 1/10"=1"

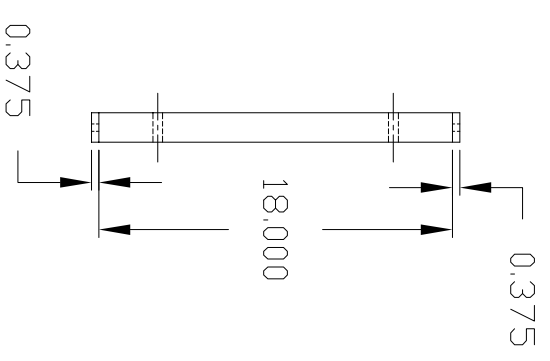


UNIVERSITY OF  
WYOMING STRUCTURES  
LABORATORIES

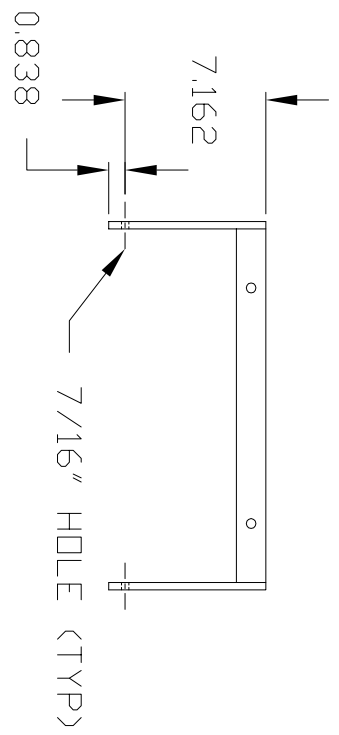
TITLE  
PRISM BASE SUPPORT

DATE: 03/29/2007 ZPG PAGE: 4/8

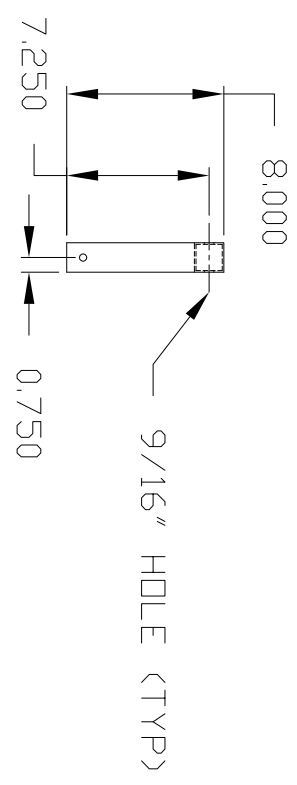
TOP VIEW



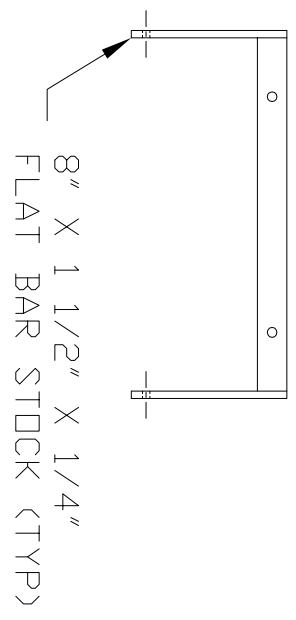
FRONT VIEW



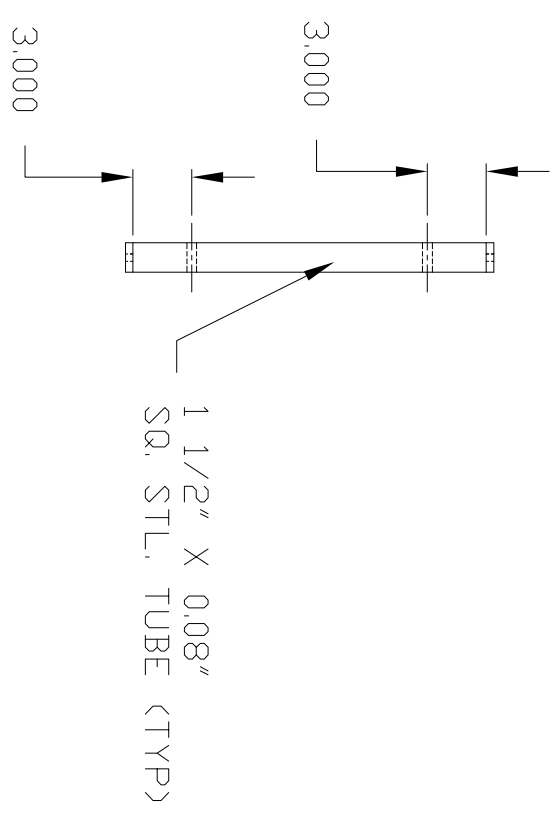
SIDE VIEW



REAR VIEW



BOTTOM VIEW



SCALE = 1/10"=1"

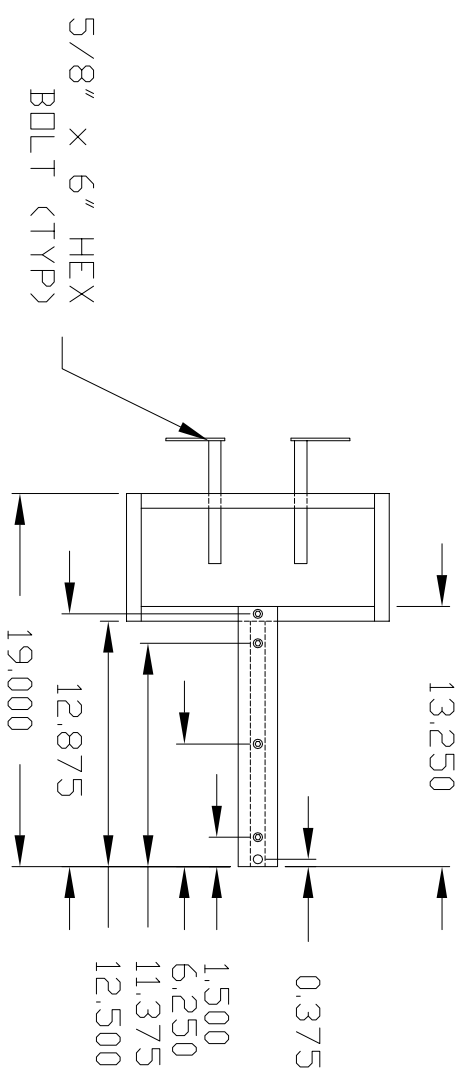
UNIVERSITY OF  
WYOMING STRUCTURES  
LABORATORIES

TITLE:  
CLAMP BRACKET

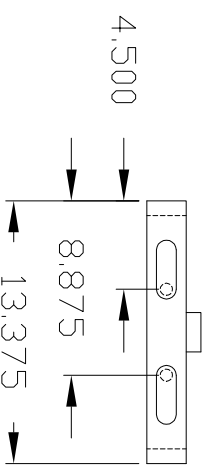
DATE: 03/29/2007 ZPG PAGE: 5/8



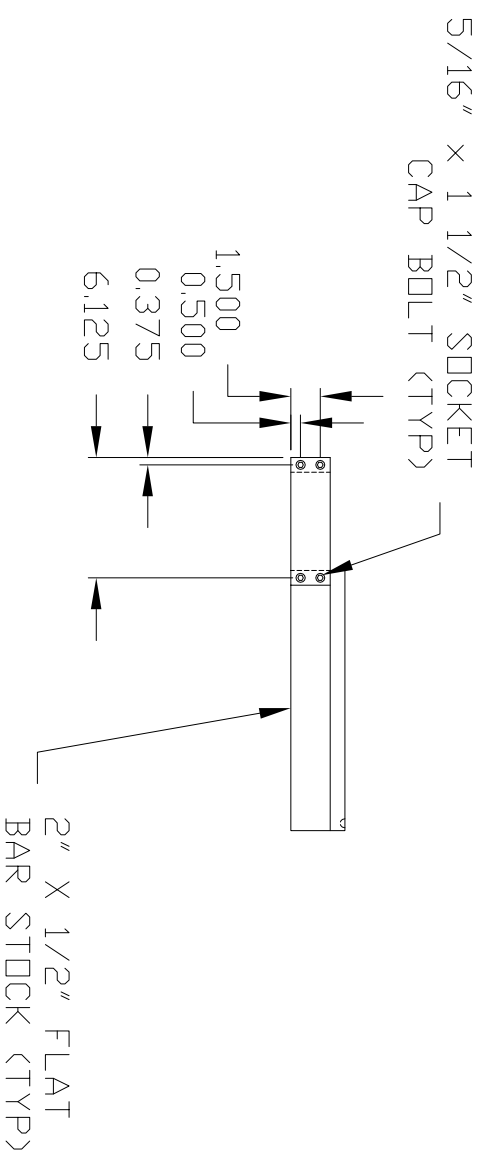
TOP VIEW



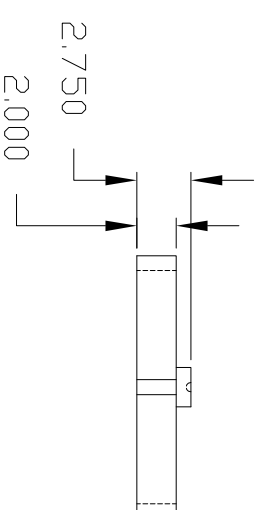
FRONT VIEW



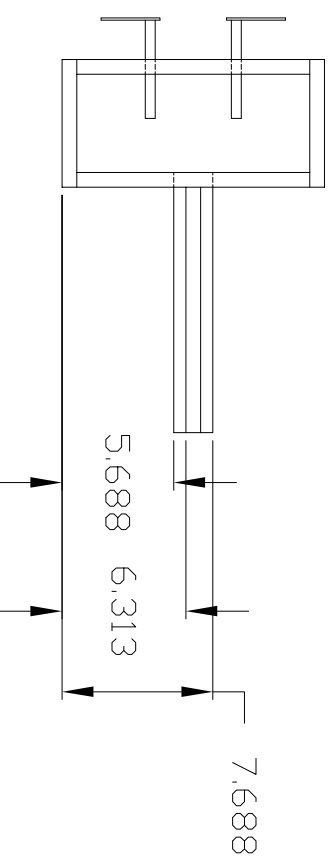
SIDE VIEW



REAR VIEW



BOTTOM VIEW



SCALE = 1/10"=1"

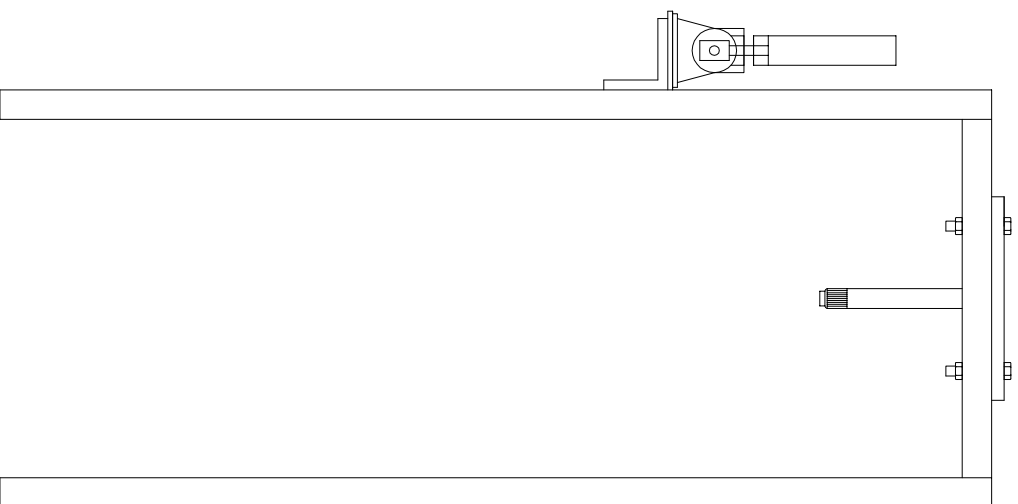
UNIVERSITY OF  
WYOMING STRUCTURES  
LABORATORIES

TITLE  
UPPER CLAMP BRACKET

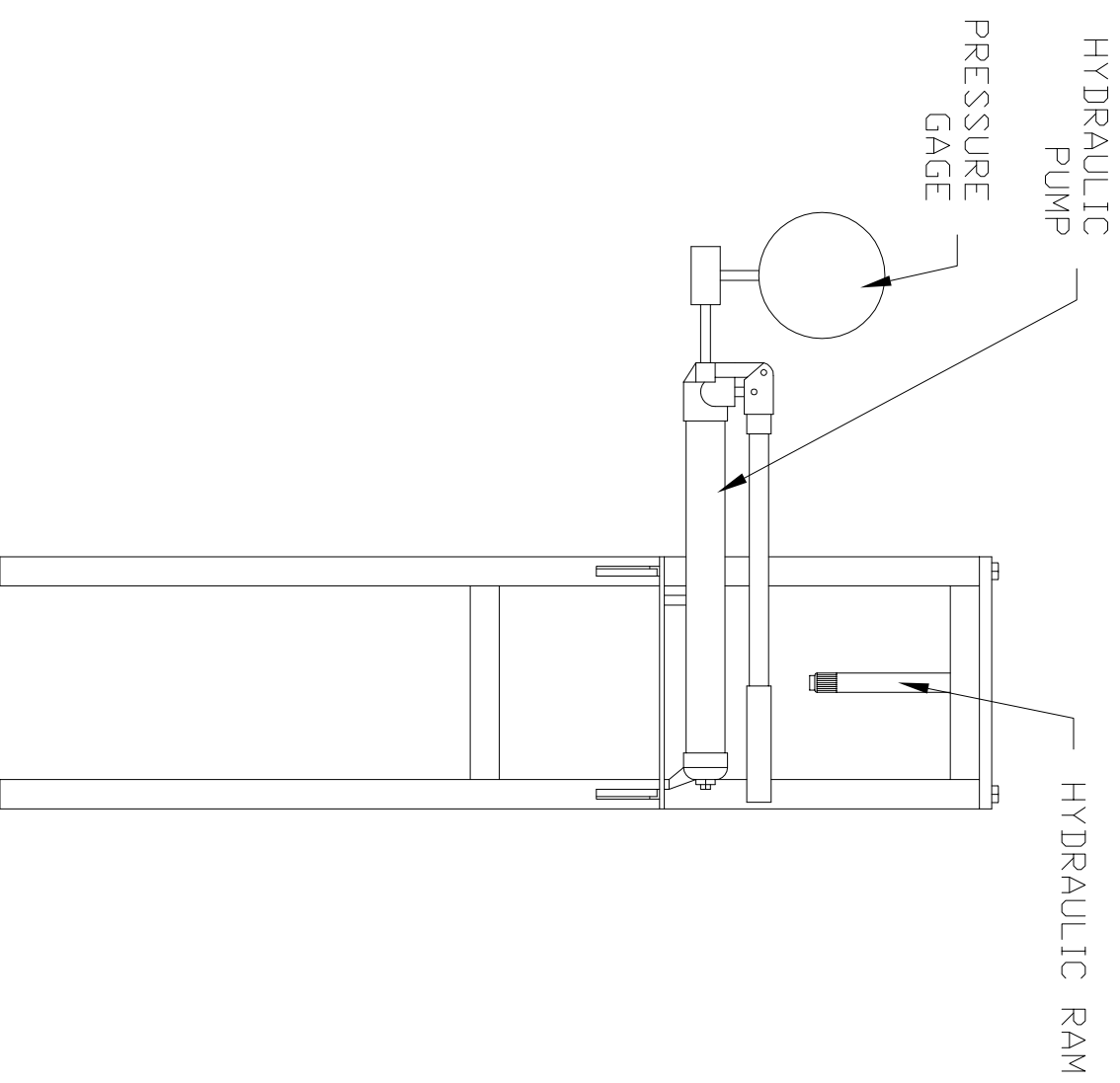
DATE: 03/29/2007      ZPG      PAGE: 6/8



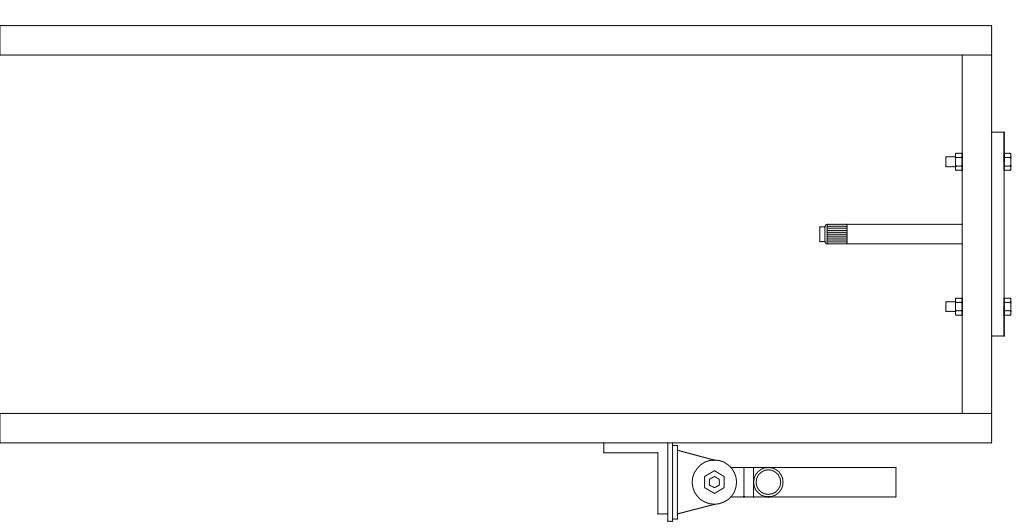
FRONT VIEW



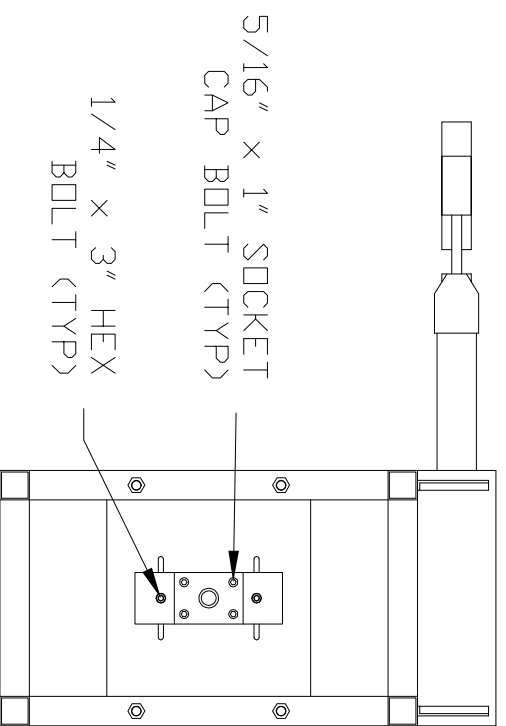
SIDE VIEW



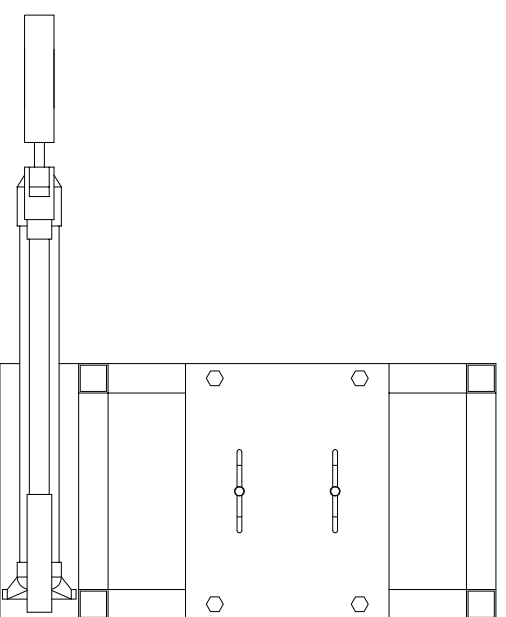
REAR VIEW



BOTTOM VIEW



TOP VIEW



SCALE = 1/10"=1"

UNIVERSITY OF  
WYOMING STRUCTURES  
LABORATORIES

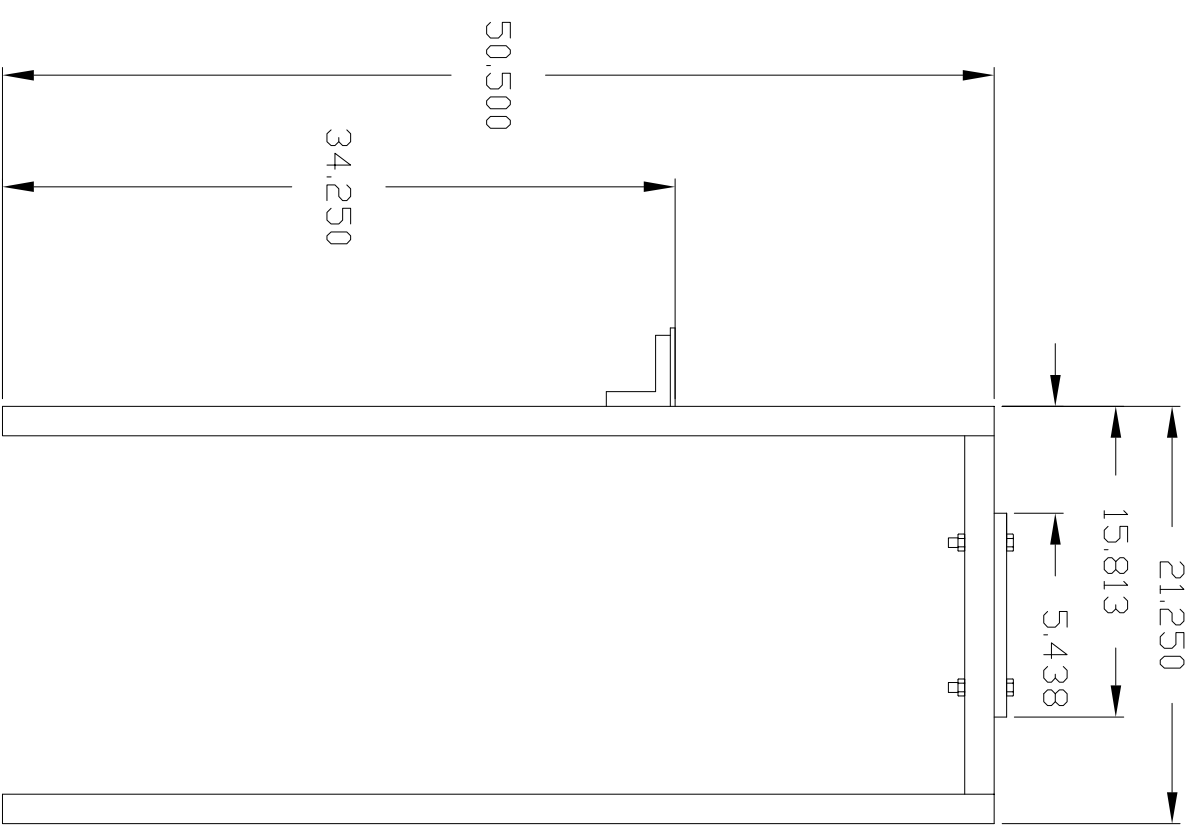
TITLE  
LOAD FRAME ASSEMBLY

DATE: 03/29/2007      ZPG      PAGE: 7/8

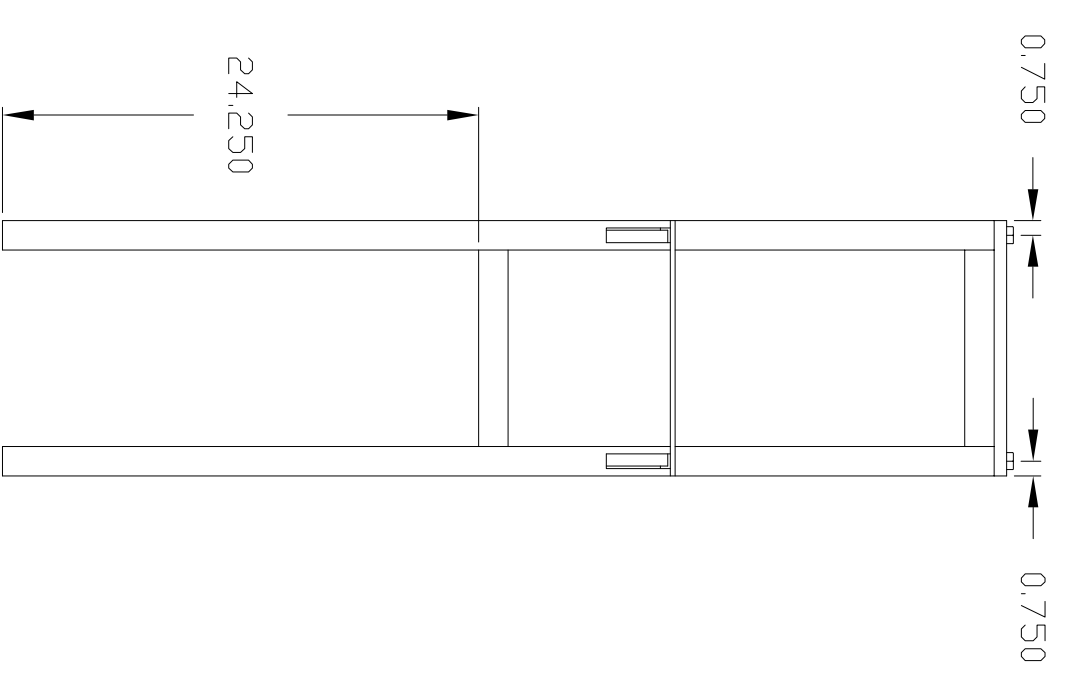




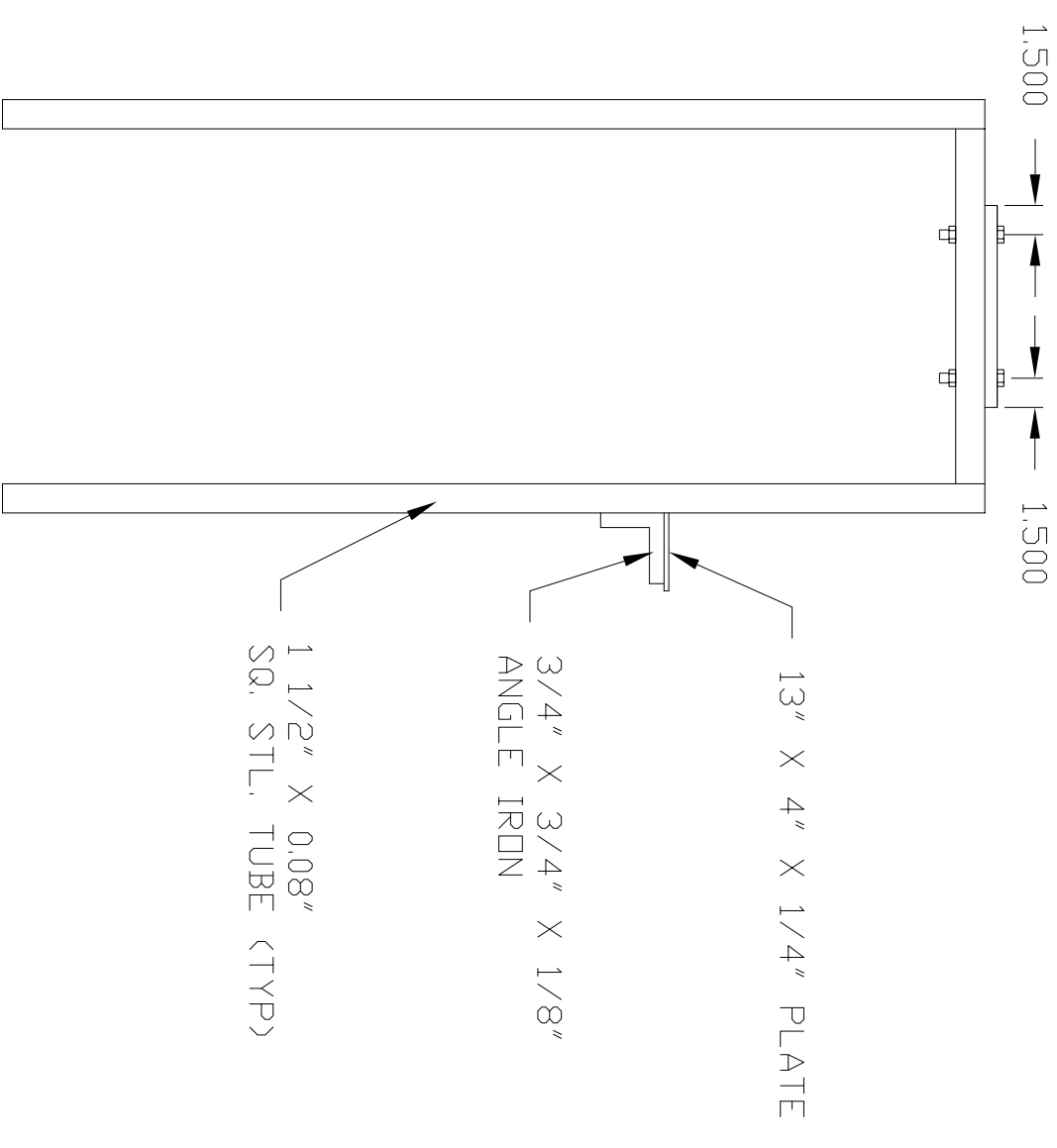
FRONT VIEW



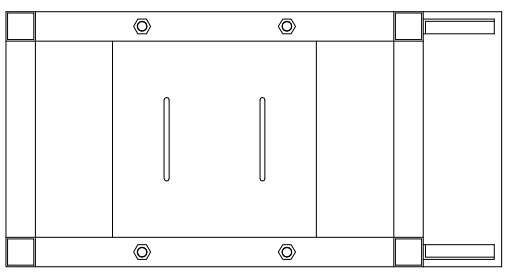
SIDE VIEW



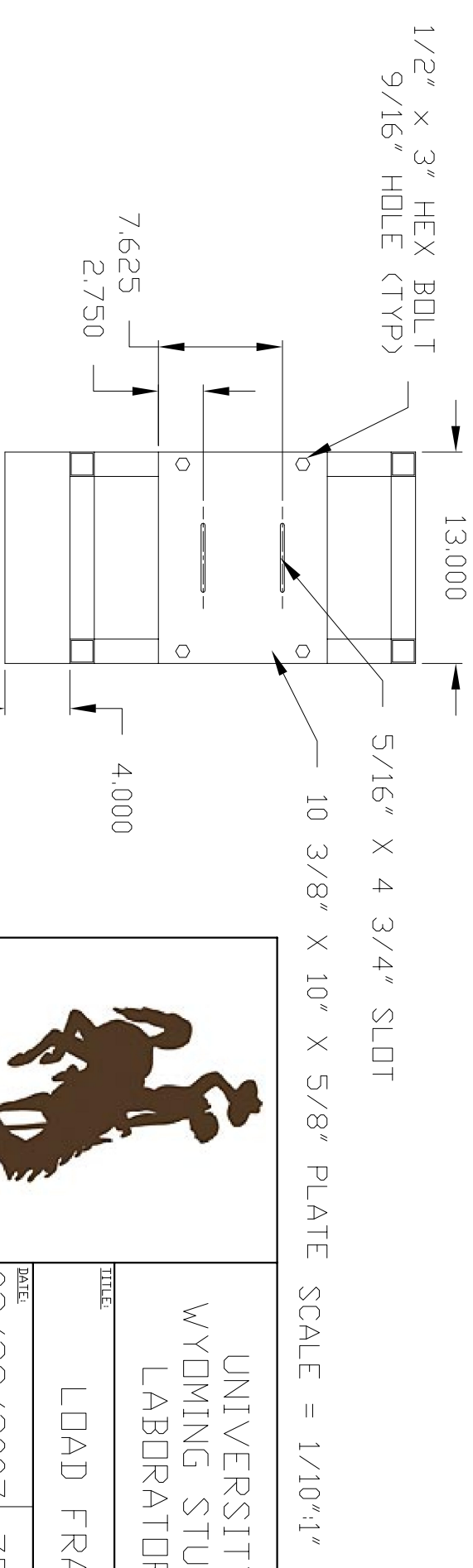
REAR VIEW



BOTTOM VIEW



TOP VIEW



UNIVERSITY OF  
WYOMING STRUCTURES  
LABORATORIES

TITLE  
LOAD FRAME

DATE: 03/29/2007 ZPG PAGE: 8/8